



EMREX tech meeting Januar 2021



Agenda

- Introduction
- ELMO
 - Additional types of Learning opportunities
 - ELMO – EDCI connection
 - Support for results of recognition
 - Support for licences/authorizations (like nursing)
 - Support for driver licences
- EMREG – proposal
- Resolutions



Proposal for ELMO 1.5.1 / 1.6

- Addition types of Attachments
 - Diploma
 - Micro Credential



Need for changes

➤ Background

- Further development on NCP
 - New sources
 - Licences, results of recognition, micro credentials
 - Digitalization of diplomas and Diploma Supplement
- Relation to Europass / EDCI



Example 1 Vitnemålsportalen

- Support for data from NOKUT
 - Results of recognition
- Support for data from Helsedirektoratet
 - Authorisation and License for Health Personnel
- Support for data from Maskinregisteret
 - Competences, driver licenses



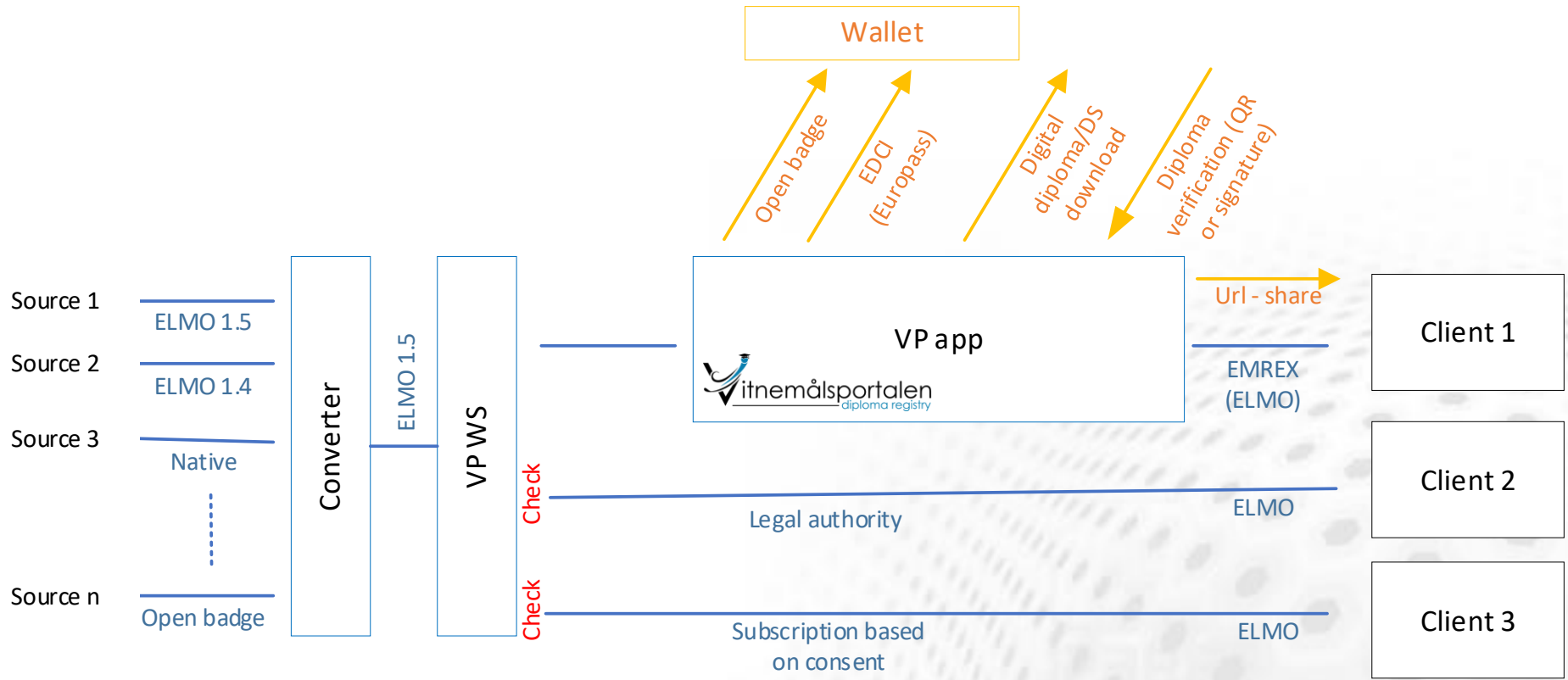
Example 2 Digitalization of Diplomas

- Move away from paper diplomas
- Documents that should be kept safe and available for 40-60 years
 - Responsibility to secure these documents?
- The whole process from examination, via assessment to publishing, sharing, verification
- Verification of Accreditation is essential
 - For the whole lifespan of the document



Example 3 Dutch edubadges

- New infrastructure for Dutch education
- Many of the same requirements as for digital diplomas
- Information regarding Accreditation also important here





ELMO and EDCI

● ELMO

- Implementation of the European CEN-standards

● EDCI

- Europass Digital Credentials Infrastructure – Data Model





Data models

● ELMO

- Learner
- Report
 - Issuer
 - LearningOpportunitySpecification (type)
 - Specifies LearningOpportunityInstance
 - » Diploma Supplement
 - hasPart



Data models

● Europass Credential

- Person
- Achievements
 - LearningAchievements
 - wasDerivedFrom (assessment)
 - » hasPart
 - wasInfluencedBy (activity)
 - » hasPart
 - wasAwardedBy
 - hasPart
 - entitlesTo (entitlement)
- Activities
- Entitlements

```
1 <europassCredential xmlns="http://data.europa.eu/europass/model/credentials#"  
http://data.europa.eu/europass/model/credentials#" xsi:schemaLocation="http:  
urn:epass:credential:b576d4a4-c669-458b-ba17-23bd3237e177" xsdVersion="0.4.0"  
2 <type uri="http://data.europa.eu/europass/credentialType/generic" />  
3 <issued>2015-10-31T12:00:00+02:00</issued>  
4 <credentialSubject id="urn:epass:person:1">  
5 <citizenshipCountry uri="http://publications.europa.eu/resource/author  
6 <nationalId identifierSchemeId="http://data.europa.eu/idTypes/Nation  
spatialId="http://publications.europa.eu/resource/authority/country/  
7 <identifier identifierSchemeId="http://data.europa.eu/idTypes/SomeOr  
XXXXX" spatialId="http://publications.europa.eu/resource/authority/c  
8 <fullName>  
9 <text lang="nl" content="Elmo" />  
10 </fullName>  
11 <givenNames>  
12 <text lang="nl" content="Nancy" />  
13 </givenNames>  
14 <familyName>  
15 <text lang="nl" content="Thompson" />  
16 </familyName>  
17 <dateOfBirth>1965-07-06</dateOfBirth>  
18 <placeOfBirth>  
19 <geographicName>  
20 <text lang="nl" content="Springwood" />
```

```
1 <elmo  
2 xmlns="https://github.com/emrex-eu/elmo-schemas/tree/v1"  
3 xmlns:xml="http://www.w3.org/XML/1998/namespace"  
4 xmlns:xsi="http://www.w3.org/2001/XMLSchema-instance"  
5 xsi:schemaLocation="https://github.com/emrex-eu/elmo-schemas/tree/v1"  
6 <generatedDate>2015-10-31T12:00:00+02:00</generatedDate>  
7 <learner>  
8 <citizenship>US</citizenship>  
9 <identifier type="nationalIdentifier">83041200000</identifier>  
10 <identifier type="someOtherCustomIdentifierType">ABC000</identifier>  
11 <givenNames>Nancy</givenNames>  
12 <familyName>Thompson</familyName>  
13 <bday>1965-07-06</bday>  
14 <placeOfBirth>Springwood</placeOfBirth>  
15 <birthName>Nancy Thompson</birthName>  
16 <currentAddress>  
17 <recipientName>Attn. Fred</recipientName>  
18 <buildingNumber>1428</buildingNumber>  
19 <streetName>Elm Street</streetName>  
20 <postalCode>45505</postalCode>  
21 <region>Ohio</region>  
22 <country>US</country>  
23 </currentAddress>  
24 </learner>
```



Data models

➤ EDCI

- Based on W3C Verifiable Credentials Data Model
- aligned with ELMO

➤ Proposal

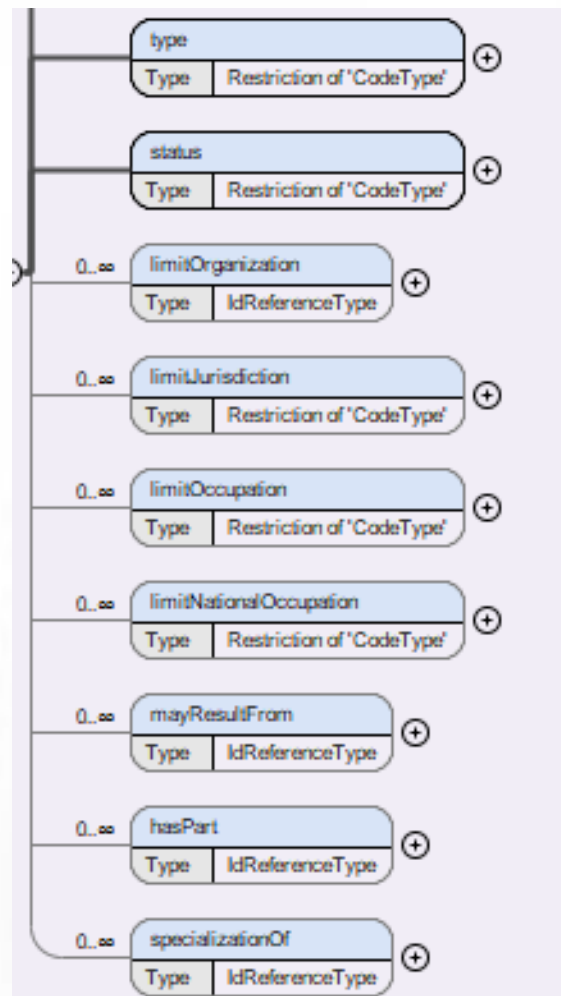
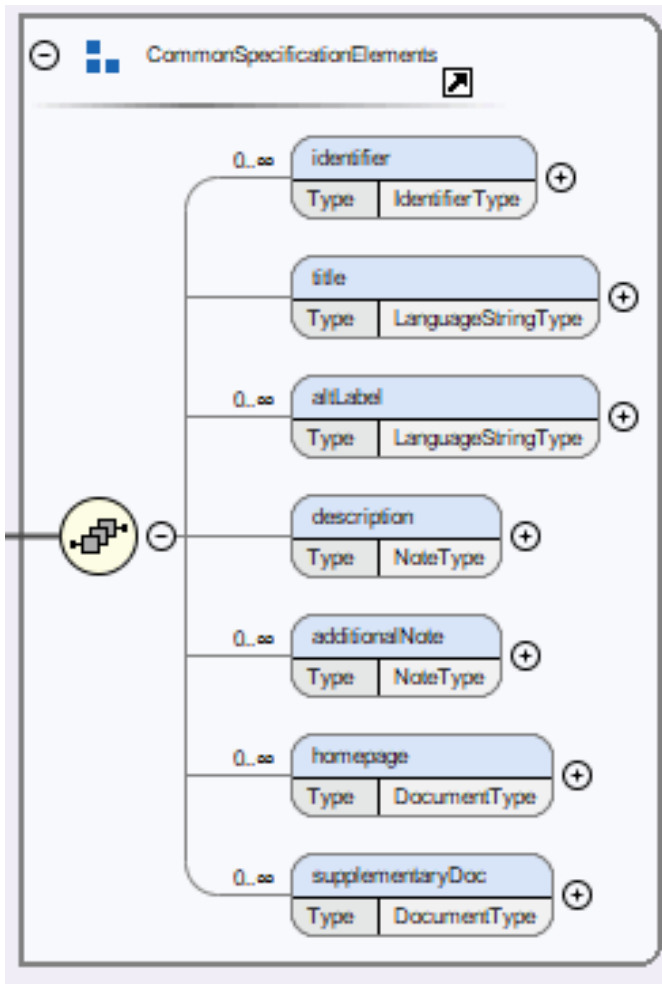
- Build converters?
 - from ELMO to EDCI
 - from EDCI to ELMO



ELMO support for new areas?

- Support for
 - Results of recognition
 - Licences / Authorizations
 - Driver licences and similar
 - Micro credentials / badges
 - Other areas?
- EDCI connection
 - Build converters?
- How should we move forward?

EDCI Entitlement







EDSSI

- European Digital Student Service Infrastructure
 - New EU - CEF project
 - Core Service Platform to integrate solutions developed by Erasmus Without Paper, European Student Card, MyAcademic Id, EMREX
 - 16 partners, coordinated by Aristotle University of Thessaloniki
- Includes activities on Data models, ELMO, registry



EMREG

- Proposal for a new EMREG
 - Part of EDSSI project